

MIXPAC™ C-System Overview

200/400mL Industrial Set

ACCESSORIES

Accessories

	ID	Article
	103663	TA 10-ET
	103664	TC 10-ET
	101656 101657	BSD 10-25 BSD 10-40
	300326	BSDQ 08-38
	102357 102358	LA 06-08 LA 10-00

Outlet Tip

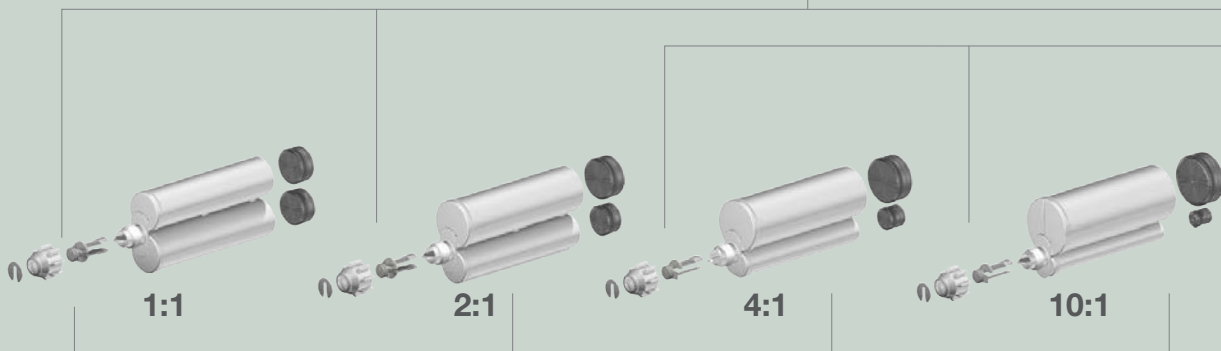
-  Tapered Tip (S)
-  Straight Tip (D)
-  Luer Slip Tip (L)
-  Stepped Tip (T)

MIXER

-  ○ MGH (Helix)
-  ○ MCH (Helix)
-  ● MCQ (Quadro)
-  ● MGQ (Quadro)

200mL

CARTRIDGE

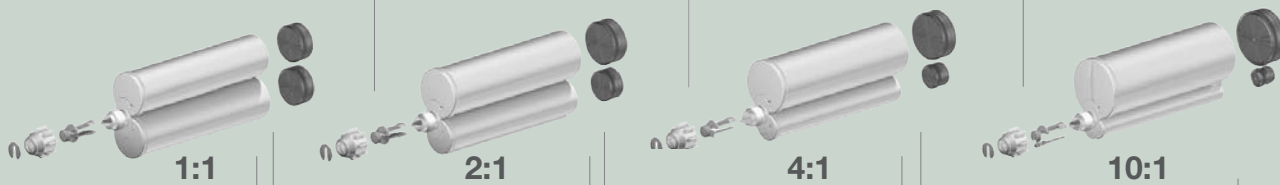


DISPENSER



- MGH (Helix)
- MGQ (Quadro)
- MCHX (Helix)

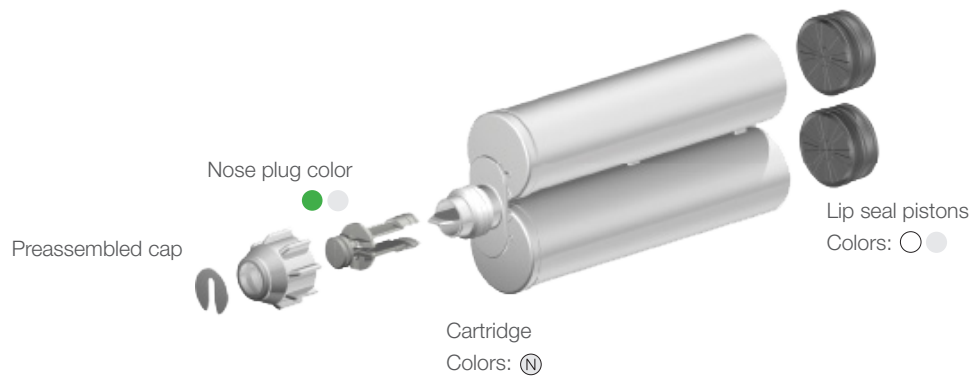
400mL



MIXPAC™ C-System Cartridge Set






200/400 Industrial Set

Cartridge Assembly 200/400mL






Ratio Set/ Volume	ID	Article	Cartridges Material/ Color	Pistons Material	O-ring	Units/ Box	Mixer Technology	Matching Dispenser
1:1 200mL	112158	AC 200-01-10-01	PP/ (N)	PP, self-venting	-	300	MCH ○ MCQ ● MGH ○ MGQ ●	DM ● DP ●
	128249	AC 200-01-10-02	PP/ (N)	PA, self-venting	EPDM	300	MCH ○ MCQ ● MGH ○ MGQ ●	DM ● DP ●
	116410	AC 200-01-10-04	PP/ (N)	PP, self-venting	-	300	MCH ○ MCQ ● MGH ○ MGQ ●	DM ● DP ●
	116578	AC 200-01-10-05	PP/ (N)	PP, self-venting	-	300	MCH ○ MCQ ● MGH ○ MGQ ●	DM ● DP ●
	112698	AC 200-01-30-01	PA/ (N)	PA, self-venting	-	300	MCH ○ MCQ ● MGH ○ MGQ ●	DM ● DP ●
	127920	AC 200-01-30-04	PA/ (N)	PA, self-venting	-	300	MCH ○ MCQ ● MGH ○ MGQ ●	DM ● DP ●
1:1 400mL	103721	AC 400-01-10-01	PP/ (N)	PP, self-venting	-	180	MCH ○ MCQ ● MGH ○ MGQ ●	DM ● DP ●
	113209	AC 400-01-10-02	PP/ (N)	PP, self-venting	-	180	MCH ○ MCQ ● MGH ○ MGQ ●	DM ● DP ●
	116317	AC 400-01-10-04	PP/ (N)	PP, self-venting	-	180	MCH ○ MCQ ● MGH ○ MGQ ●	DM ● DP ●
	115455	AC 400-01-10-05	PP/ (N)	PP, self-venting	-	180	MCH ○ MCQ ● MGH ○ MGQ ●	DM ● DP ●
	112702	AC 400-01-30-01	PA/ (N)	PA, self-venting	-	180	MCH ○ MCQ ● MGH ○ MGQ ●	DM ● DP ●
	116412	AC 400-01-30-04	PA/ (N)	PA, self-venting	-	180	MCH ○ MCQ ● MGH ○ MGQ ●	DM ● DP ●
2:1 200mL	112699	AC 200-02-10-01	PP/ (N)	PP, self-venting	-	280	MCH ○ MCQ ● MGH ○ MGQ ●	DM ● DP ●
	129165	AC 200-02-10-05	PP/ (N)	PP, self-venting	-	280	MCH ○ MCQ ● MGH ○ MGQ ●	DM ● DP ●
2:1 400mL	108663	AC 400-02-10-01	PP/ (N)	PP, self-venting	-	175	MCH ○ MCQ ● MGH ○ MGQ ●	DM ● DP ●
	116318	AC 400-02-10-04	PP/ (N)	PP, self-venting	-	175	MCH ○ MCQ ● MGH ○ MGQ ●	DM ● DP ●
	129156	AC 400-02-10-05	PP/ (N)	PP, self-venting	-	175	MCH ○ MCQ ● MGH ○ MGQ ●	DM ● DP ●
4:1 200mL	127894	AC 200-04-10-04	PP/ (N)	PP, self-venting	-	265	MCH ○ MCQ ● MGH ○ MGQ ●	DM ● DP ●
4:1 400mL	112530	AC 400-04-10-01	PP/ (N)	PP, self-venting	-	170	MCHX ● MGH ○ MGQ ●	DM ● DP ●
	115454	AC 400-04-10-05	PP/ (N)	PP, self-venting	-	170	MCHX ● MGH ○ MGQ ●	DM ● DP ●
	115454	AC 400-04-10-05	PP/ (N)	PP, self-venting	-	170	MCHX ● MGH ○ MGQ ●	DM ● DP ●
	116413	AC 400-04-10-04	PP/ (N)	PP, self-venting	-	170	MCHX ● MGH ○ MGQ ●	DM ● DP ●
	128441	AC 400-04-10-06	PP/ (N)	PP, self-venting	-	170	MCHX ● MGH ○ MGQ ●	DM ● DP ●
10:1 200mL	112468	AC 200-10-10-01	PP/ (N)	PP, self-venting	-	250	MCHX ● MGH ○ MGQ ●	DM ● DP ●
	108397	AC 200-10-10-02	PP/ (N)	PP, self-venting	-	250	MCHX ● MGH ○ MGQ ●	DM ● DP ●
	116532	AC 200-10-10-03	PP/ (N)	PP, self-venting	-	250	MCHX ● MGH ○ MGQ ●	DM ● DP ●
	127919	AC 200-10-10-04	PP/ (N)	PP, self-venting	-	250	MCHX ● MGH ○ MGQ ●	DM ● DP ●
	114307	AC 200-10-30-01	PA/ (N)	PA, self-venting	-	250	MCHX ● MGH ○ MGQ ●	DM ● DP ●
10:1 400mL	112622	AC 400-10-10-01	PP/ (N)	PP, self-venting	-	165	MCHX ● MGH ○ MGQ ●	DM ● DP ● DB ●
	116580	AC 400-10-10-04	PP/ (N)	PP, self-venting	-	165	MCHX ● MGH ○ MGQ ●	DM ● DP ● DB ●
	113820	AC 400-10-10-06	PP/ (N)	PP, self-venting	-	165	MCHX ● MGH ○ MGQ ●	DM ● DP ● DB ●
	113615	AC 400-10-10-05	PP/ (N)	PP, self-venting	-	165	MCHX ● MGH ○ MGQ ●	DM ● DP ● DB ●

Matching mixers

	ID	Article	Number of Elements	Inner Diameter Ø mm/inch	Waste Volume (mL)	Units/Box	Outlet Tip				Accessories							
							Stepped Tip (T)	Straight Tip (D)	Luer Slip Tip (L)	Tapered Tip (S)	BSD 10-25	BSD 10-40	LA 05-00	LA 06-08	LA 10-00	BSDQ 08-38	TA 10-ET	TC 10-ET
1:1/2:1 MCH 	102414	MCH 05-18T	18	5.0/0.197	2.10	3000	✓					✓						
	102415	MCH 05-24T	24	5.0/0.197	2.00	2000	✓					✓						
	102416	MCH 05-32T	32	5.0/0.197	2.60	2000	✓					✓						
	102417	MCH 06-18T	18	6.0/0.236	3.60	2000	✓						✓					
	102418	MCH 06-24T	24	6.0/0.236	4.20	2000	✓						✓					
	102419	MCH 06-32T	32	6.0/0.236	5.00	1700	✓						✓					
	102421	MCH 08-18T	18	8.0/0.315	6.70	2000	✓						✓					
	102424	MCH 08-24T	24	8.0/0.315	8.50	1500	✓						✓					
	102425	MCH 08-32T	32	8.0/0.315	10.90	1200	✓						✓					
	102427	MCH 1008-18S	18	8.0/0.315	10.20	1000				✓								
	102429	MCH 10-18T	18	10.0/0.394	12.30	1400	✓							✓				
	102430	MCH 10-20D	20	10.0/0.394	12.60	1200		✓			✓	✓					✓	✓
	102432	MCH 10-24D	24	10.0/0.394	15.30	1000		✓			✓	✓					✓	✓
	102431	MCH 10-24T	24	10.0/0.394	14.60	1000	✓							✓				
	102433	MCH 10-32T	32	10.0/0.394	17.70	900	✓							✓				
	102434	MCH 13-12T	13	10.0/0.394	14.70	1400	✓											
	102435	MCH 13-18T	18	13.0/0.512	21.00	1000	✓											
	102437	MCH 13-24T	24	13.0/0.512	27.30	800	✓											
	102438	MCH 13-32T	32	13.0/0.512	25.70	600	✓											
4:1/10:1 MCHX 	102440	MCHX 08-18T	18	8.0/0.315	6.40	1800	✓						✓					
	102443	MCHX 08-24T	24	8.0/0.315	9.30	1500	✓						✓					
	102444	MCHX 10-12T	12	10.0/0.394	9.60	2000	✓							✓				
	102445	MCHX 10-18T	18	10.0/0.394	11.90	1400	✓							✓				
	102446	MCHX 10-24T	24	10.0/0.394	16.20	1000	✓							✓				
	102447	MCHX 13-12T	12	13.0/0.512	11.60	1200	✓											
1:1/2:1 MCQ 	112498	MCHX 15-12-30	12	15.0/591	27.00	1000	✓											
	300002	MCQ 05-24L	24	5.3/207	3.46	1500			✓									
	300006	MCQ 07-24T	24	7.5/295	6.19	1000	✓											
	300455	MCQ 08-24T	24	8.7/0.343	8.44	1300	✓								✓			
	300375	MCQ 08-32T	32	8.7/0.343	10.37	900	✓								✓			
	300496	MCQ 10-24T-01	24	10.7/0.421	14.04	800	✓											
1:1/2:1/4:1/10:1 MGH 	300377	MCQ 10-32T	32	10.7/0.421	18.45	600	✓											
	102480	MGH 08-06S	6	8.0/0.315	3.67	1500				✓								
1:1/2:1/4:1/10:1 MGQ 	300469	MGQ 08-18T	18	8.7/0.343	6.70	1200	✓								✓			
	300454	MGQ 08-20D	20	8.7/0.343	7.57	1000		✓										
	300453	MGQ 08-20T	20	8.7/0.343	7.34	1000	✓								✓			
	300462	MGQ 08-24D	24	8.7/0.343	8.61	800		✓										
	300461	MGQ 08-24T	24	8.7/0.343	8.76	800	✓								✓			
	300493	MGQ 10-19D	19	10.7/0.421	12.15	800		✓										
	300497	MGQ 10-24D	24	10.7/0.421	14.49	650		✓										

Matching dispensers

	ID	Article	Volume mL		Ratio				Force (kN)
			200	400	1:1	2:1	4:1	10:1	
DM dispenser manual 	114413	DM 200-01	✓		✓	✓			5.2
	114425	DM 200-04	✓				✓		5.2
	114535	DM 200-10	✓					✓	5.2
	114399	DM 400-01		✓	✓	✓			6.4
	114400	DM 400-04		✓			✓		6.4
	114401	DM 400-10		✓				✓	6.4
	DP dispenser pneumatic 	114780	DP 200-70-01	✓		✓	✓		
114664		DP 200-70-04	✓				✓		2.2
114539		DP 200-70-10	✓					✓	2.2
114781		DP 400-85-01		✓	✓	✓			3.2
114782		DP 400-85-04		✓			✓		3.2
114783		DP 400-85-10		✓				✓	3.2
114466		DP 400-100-01		✓	✓	✓			4.5
114559		DP 400-100-04		✓			✓		4.5
114465		DP 400-100-10		✓				✓	4.5
DB dispenser battery 	152603	DB2 400-50-100		✓	✓				5.0
	152605	DB2 400-50-200		✓		✓			5.0
	152607	DB2 400-50-300		✓			✓		5.0
	152609	DB2 400-50-400		✓				✓	5.0